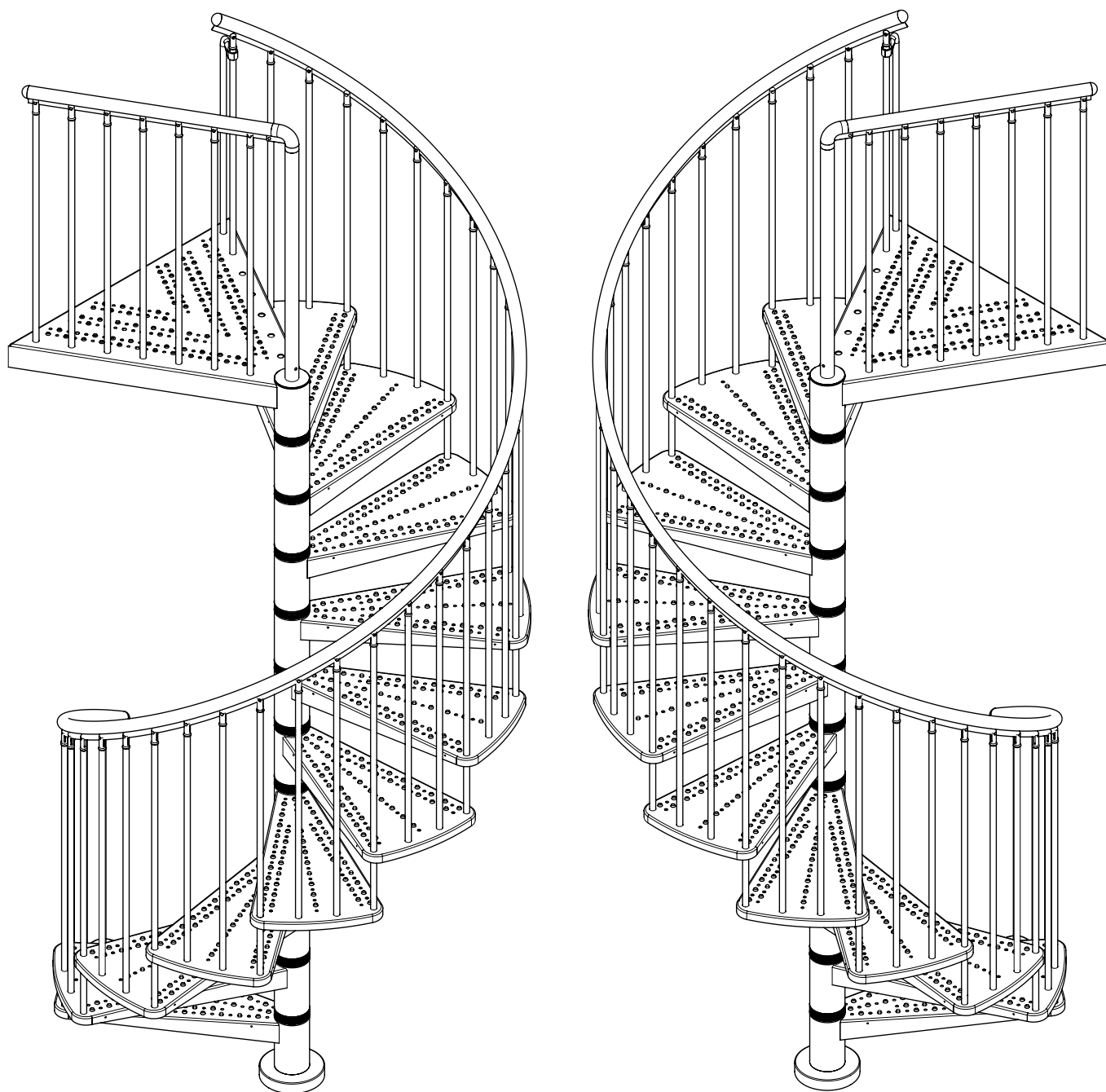
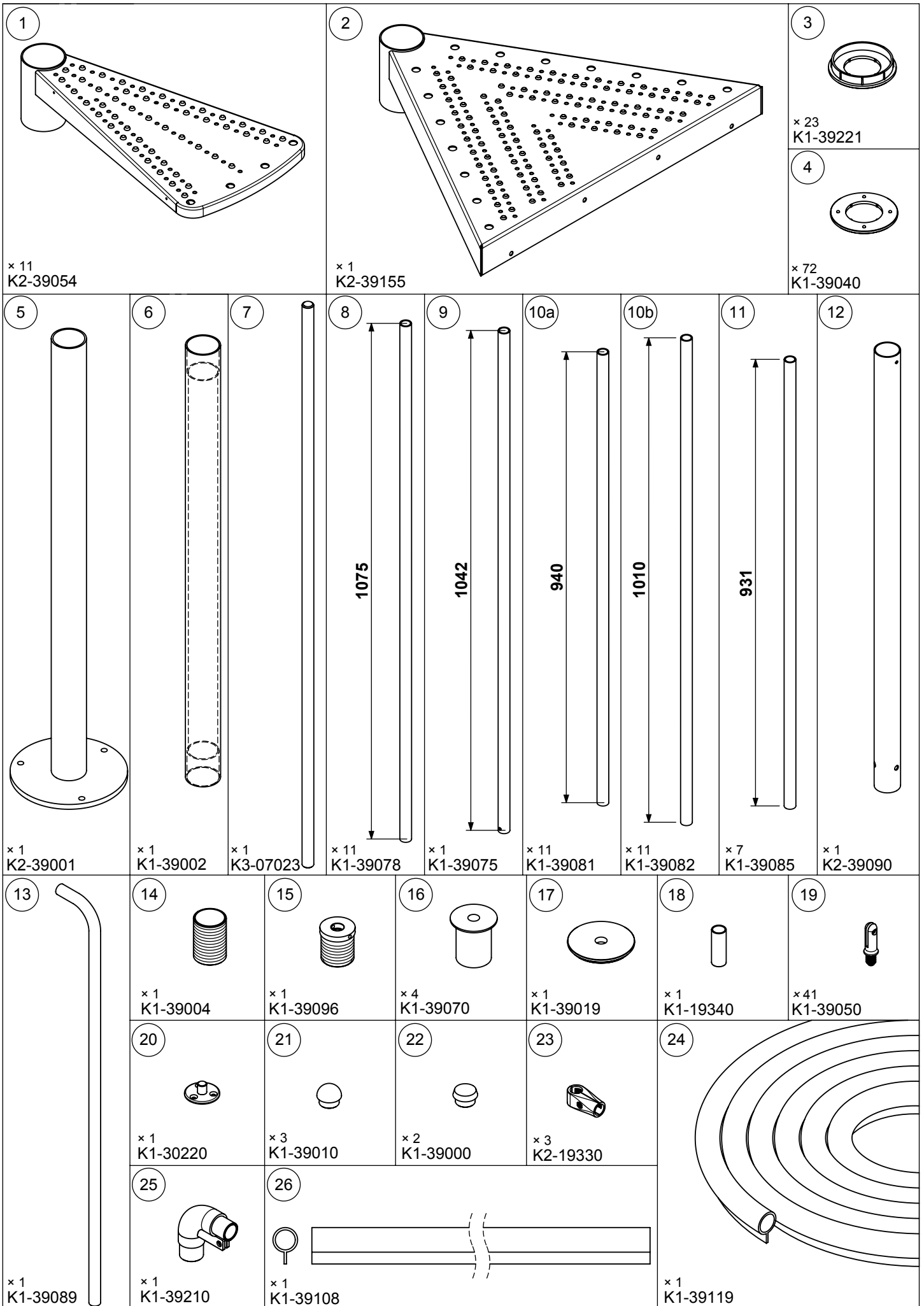



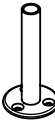














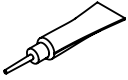
# TORONTO / INDUSTRIA V3

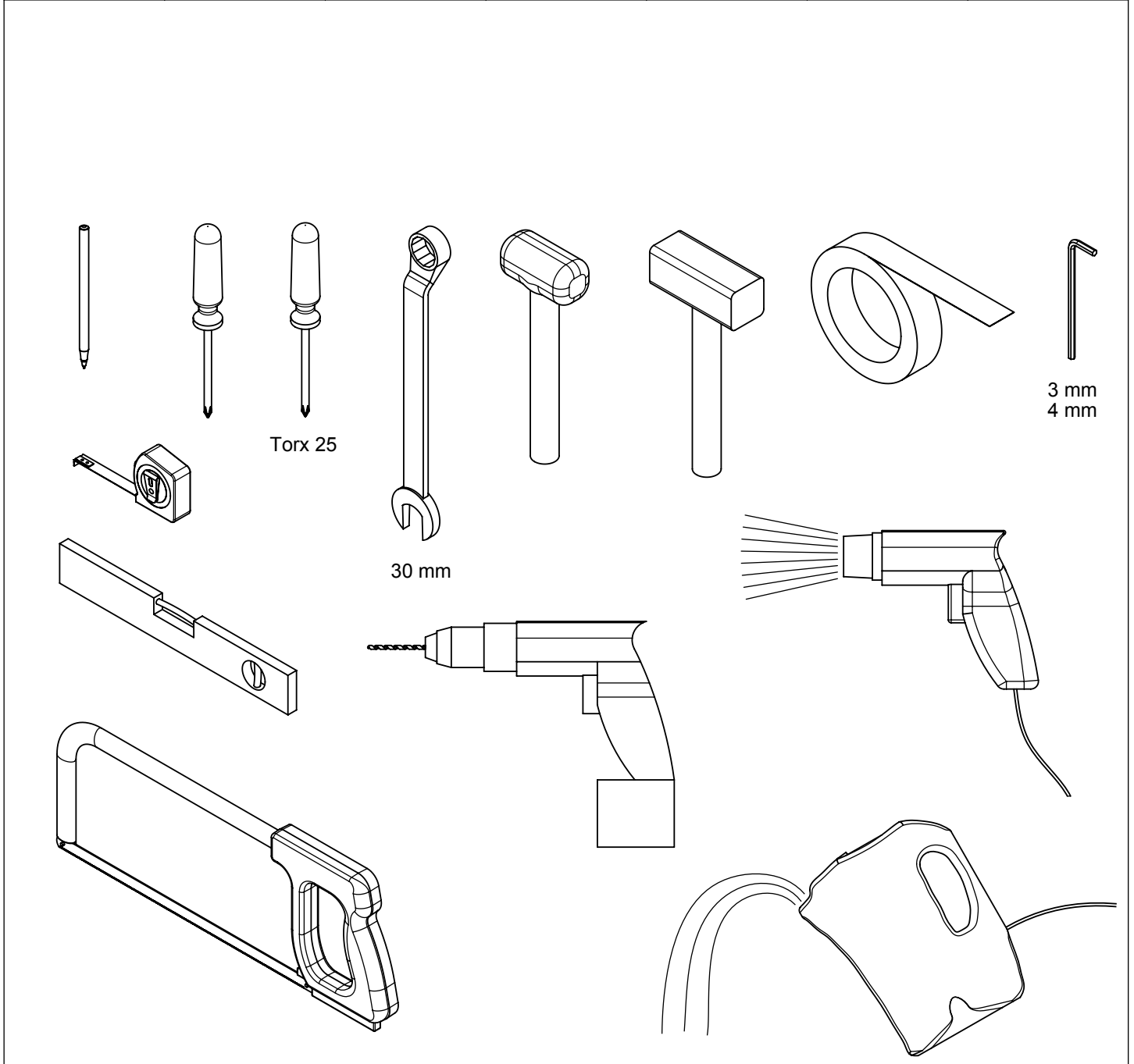
Ø 155 cm

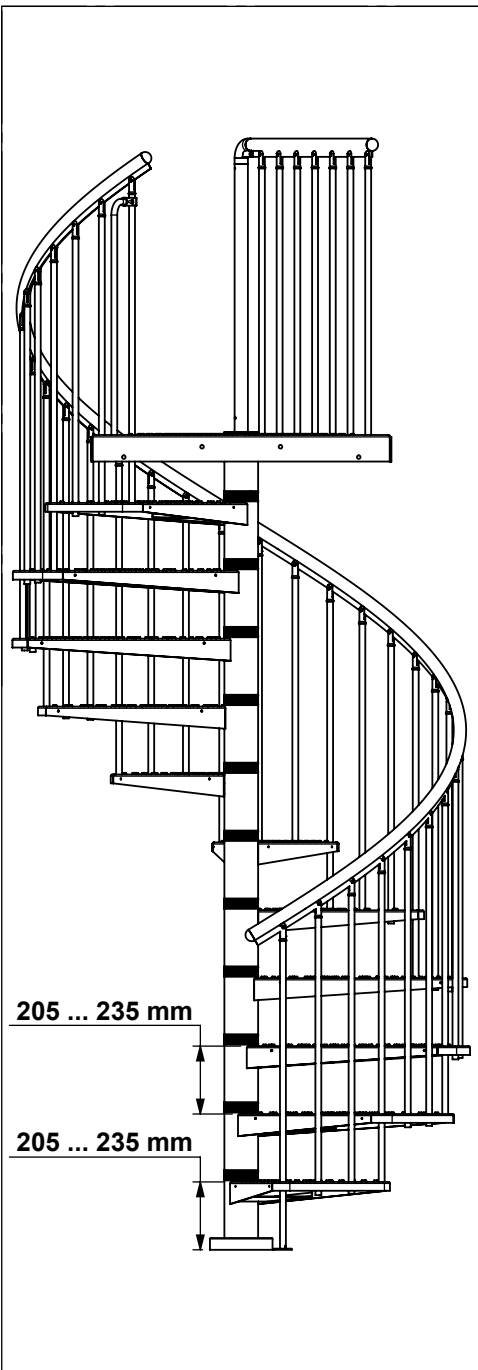
Notice de montage  
Installation instruction



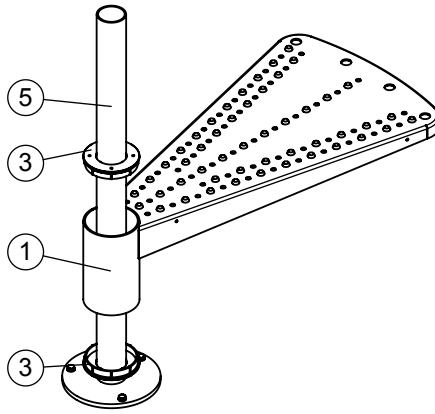


<p>(27)</p>  <p>× 1 K1-39214</p>	<p>(28)</p>  <p>× 2 K2-39010</p>	<p>(33)</p>  <p>× 5 K1-39030</p>				
<p>(50)</p>  <p>× 7 K3-06070 Ø10×60</p>	<p>(51)</p>  <p>× 7 K3-04040 Ø10</p>	<p>(52)</p>  <p>× 7 K3-08001 Ø12×60</p>	<p>(53)</p>  <p>× 2 K3-05021 M8×10</p>	<p>(54)</p>  <p>× 2 K3-03054 M20</p>	<p>(55)</p>  <p>× 2 K3-04021 Ø20</p>	<p>(56)</p>  <p>× 119 K3-05055 M6×5</p>
<p>(57)</p>  <p>× 9 K3-08002 Ø8×40</p>	<p>(58)</p>  <p>× 9 K3-06007 Ø5×35</p>	<p>(59)</p>  <p>× 42 K3-03050 M5</p>	<p>(60)</p>  <p>× 42 K3-01201 M5×14</p>	<p>(61)</p>  <p>× 1 K3-02089 M8×100</p>	<p>(69)</p>  <p>× 1 R1-63272 Ø6×25</p>	<p>(70)</p>  <p>× 1 K3-90001</p>

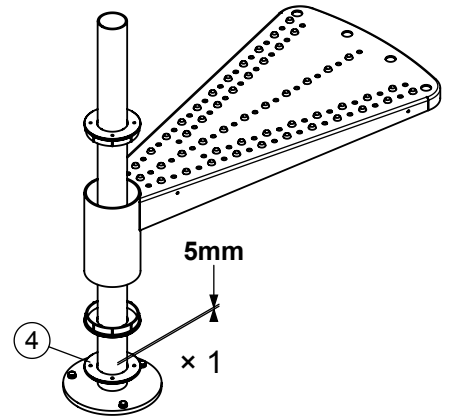




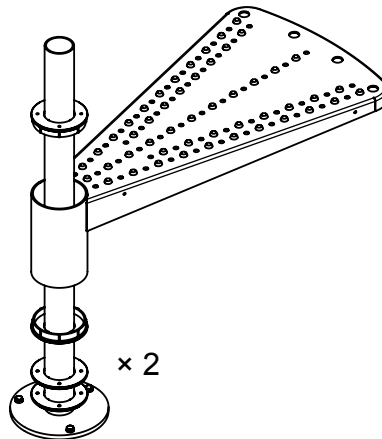
205 mm



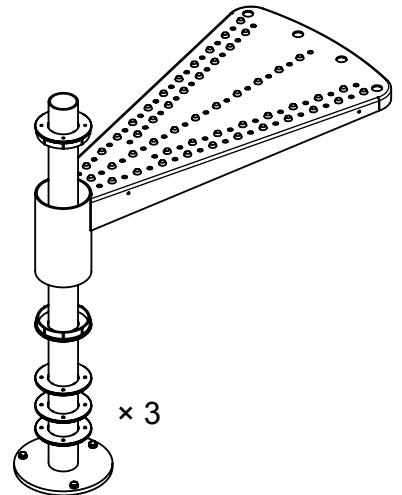
210 mm



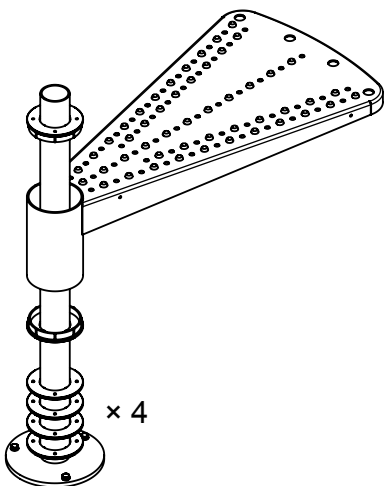
215 mm



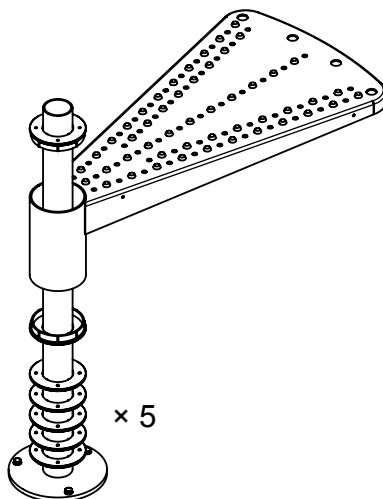
220 mm



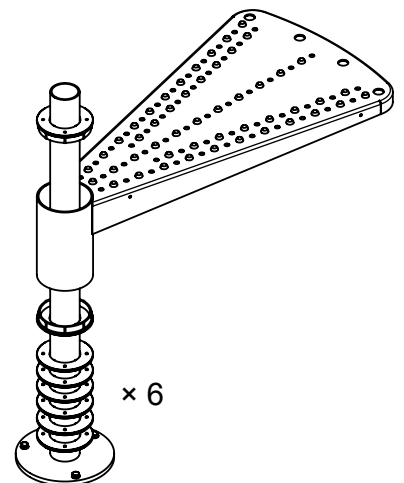
225 mm



230 mm



235 mm

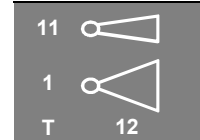


**N**  
0...6 st (pcs)

4

**P**  
+ 1 st (pcs)

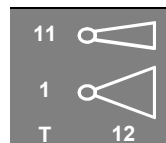
**P**  
+ 1 st (pcs)



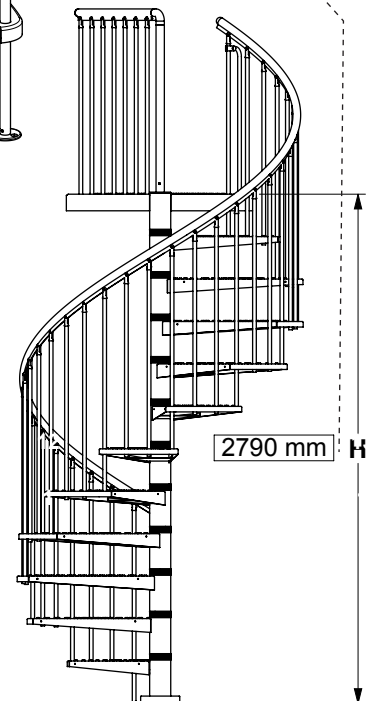
	$\psi$	T
2785	5	5
2790	5	6
2795	5	7
2800	5	8

**P**  
+ 6 st (pcs)

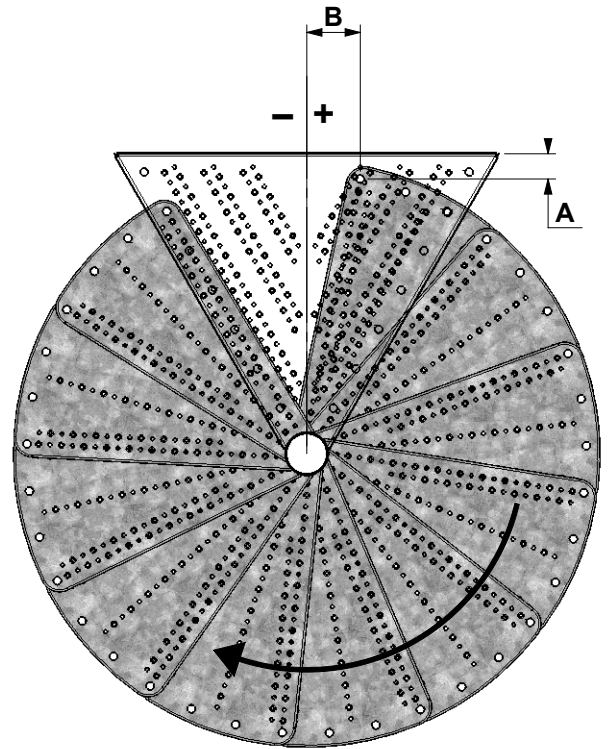
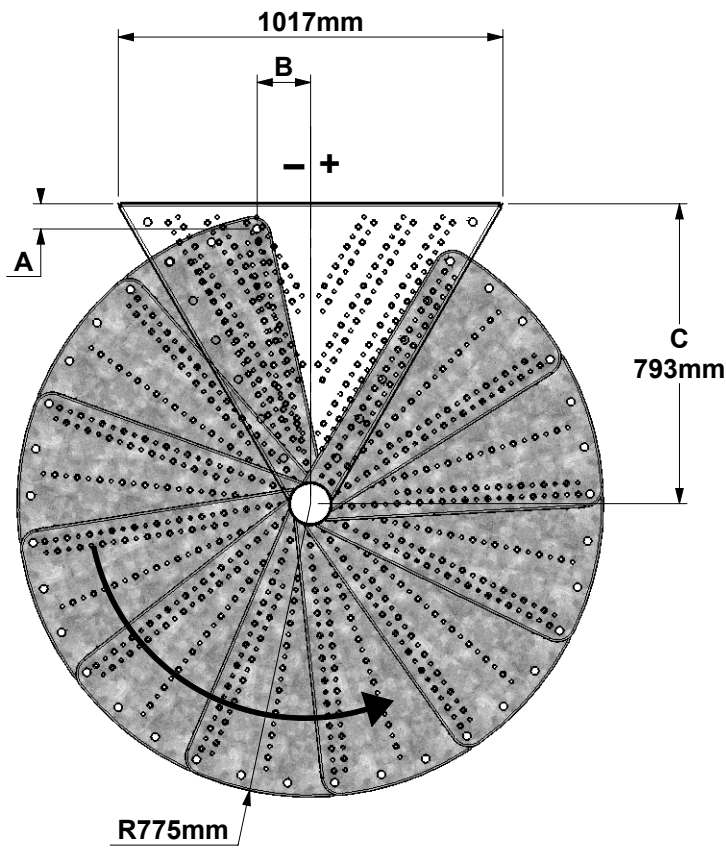
**N × T**  
5 st (pcs) × 12  
= 60 st (pcs)




	$\psi$	T
2785	5	5
2790	5	6
2795	5	7
2800	5	8







Ø 155 cm		
	A	B
	mm	mm
11	65	-141
12	87	228
13	286	541
14	612	718
15	982	715
16	1305	532

